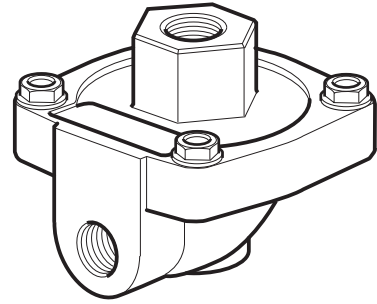


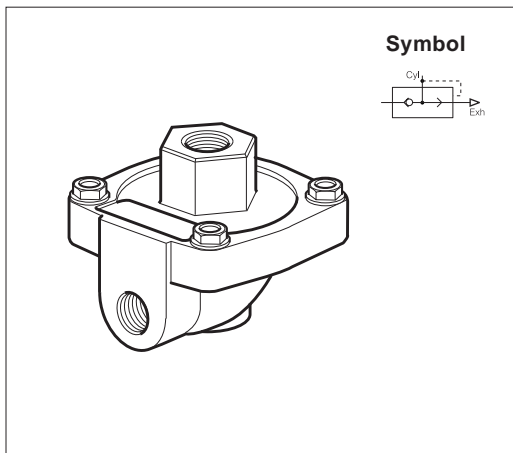
- Increases piston speeds, super sensitive diaphragm
- Extremely low operating differential
- Virtually stiction free
- May be used as differential shuttle valve
- High temperature option



Operating information

Operating pressure: 0,2 to 10 bar
 Operating temperature (Standard): -10°C to +80°C
 Operating temperature (High): -10°C to +180°C
 Body material: Aluminium
 Diaphragm material (Standard): Nitrile
 Diaphragm material (High): Viton

Standard version

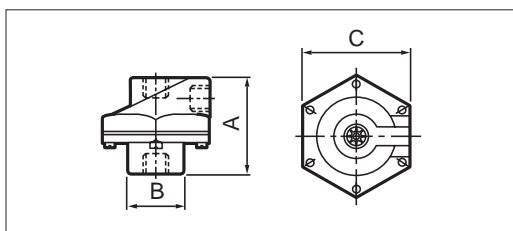


Port Size	Cv Rating	Weight kg	Order Code
G1/4	2,3	0,20	P4Q-BA12
G3/8	3,6	0,18	P4Q-BA13
G1/2	6,6	0,50	P4Q-CA14
G3/4	7,3	0,44	P4Q-CA16

High temperature version

Port Size	Cv Rating	Weight kg	Order Code
G1/4	2,3	0,20	P4Q-BV12
G3/8	3,6	0,18	P4Q-BV13
G1/2	6,6	0,50	P4Q-CV14
G3/4	7,3	0,44	P4Q-CV16

Quick Exhaust Valves - Dimensions



Order code	Port Size	A	B	C
P4Q-B*12	G1/4	52	25	62
P4Q-B*13	G3/8	52	25	62
P4Q-B*14	G1/2	73	38	86
P4Q-B*16	G3/4	73	38	86